

RAZER MANO'WAR



Immerse yourself in the game in complete freedom with the Razer ManO'War wireless PC gaming headset with gaming grade latency-free 2.4 GHz wireless technology. Hear every detail, every position of your enemy when you have high-performance 50 mm Neodymium magnet drivers and immersive 7.1 surround sound.

The Razer ManO'War allows for up to 7 days* of wireless gameplay (16 hours uninterrupted play on a single charge). Never compromise on mission critical communication with your teammates with the retractable digital microphone and Quick Action Controls on the ear cup. Complete with 16.8 million customizable Chroma colors, the Razer ManO'War is built for a single purpose – Wireless freedom. Gaming fidelity.

**Based on average play time of 2 hours per day.*

TABLE OF CONTENTS

1. PACKAGE CONTENTS / SYSTEM REQUIREMENTS.....	3
2. REGISTRATION / TECHNICAL SUPPORT	4
3. TECHNICAL SPECIFICATIONS.....	5
4. DEVICE LAYOUT	6
5. USING YOUR RAZER MANO'WAR	8
6. INSTALLING YOUR RAZER MANO'WAR	19
7. CONFIGURING YOUR RAZER MANO'WAR.....	20
8. SAFETY AND MAINTENANCE.....	32
9. LEGALESE.....	33

1. PACKAGE CONTENTS / SYSTEM REQUIREMENTS

PACKAGE CONTENTS

- Razer ManO'War Wireless Gaming Headset
- Wireless USB transceiver
- 2m extension dock
- 1m USB charging cable
- Important Product Information Guide

SYSTEM REQUIREMENTS

- PC / Mac / PlayStation[®] 4
- A free USB 2.0 port

SYNAPSE REQUIREMENTS

- Windows[®] 10 / Windows[®] 8 / Windows[®] 7 / Mac OS X (10.8-10.10)
- Internet connection
- At least 100MB of free hard disk space

**Only Spectrum cycling lighting effect and 2.0 stereo audio output is available 7.1 virtual surround is only enabled with Razer Surround software installation*

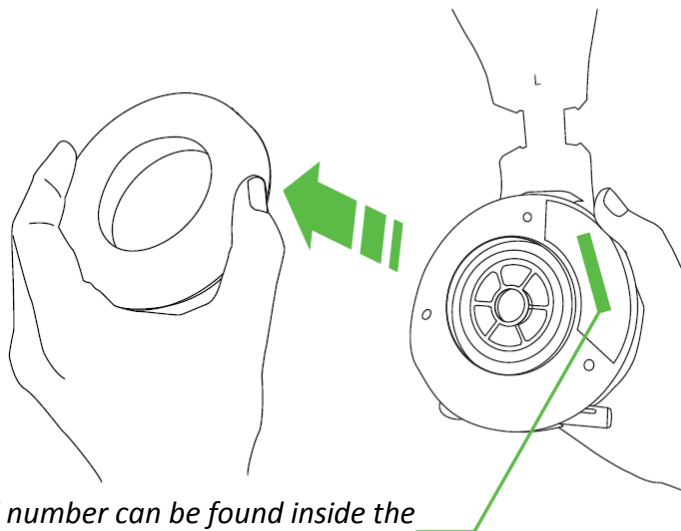
2. REGISTRATION / TECHNICAL SUPPORT

REGISTRATION

Visit www.razerzone.com/razer-id to sign up for a Razer ID now to get a wide range of Razer benefits. For example, get real-time information on your product's warranty status via Razer Synapse. To learn more about Razer Synapse and all its features, visit www.razerzone.com/synapse.

If you already have a Razer ID, register your product by clicking on your email address within the Razer Synapse application and select Warranty Status from the dropdown list.

To register your product online, visit www.razerzone.com/registration. Please note that you will not be able to view your warranty status if you register via the website.



Your product's serial number can be found inside the leatherette ear cup, as shown here.

TECHNICAL SUPPORT

What you'll get:

- 1 year limited manufacturer's warranty.
- Free online technical support at www.razersupport.com.

3. TECHNICAL SPECIFICATIONS

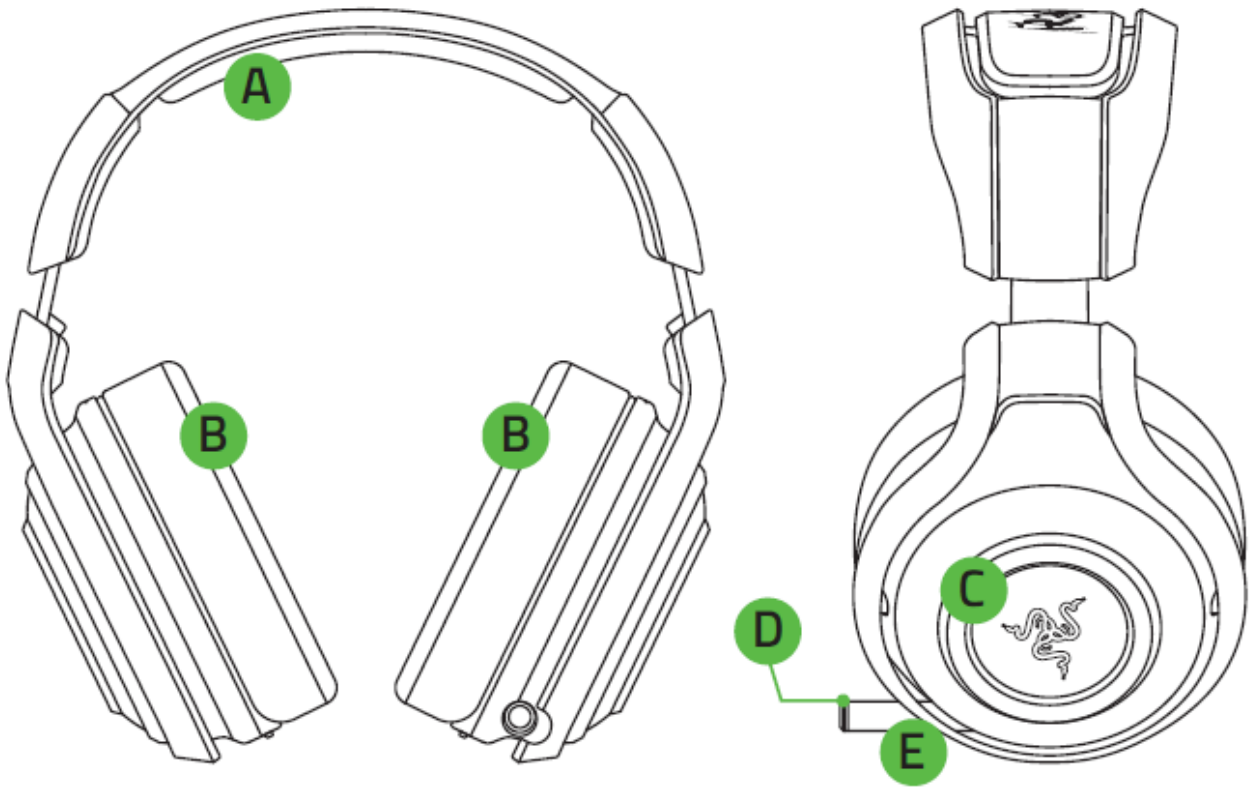
HEADPHONES

- Frequency response: 20 - 20,000 Hz
- Impedance: 32 Ω – at 1 kHz
- Sensitivity (@1 kHz): 110 \pm 4 dB at 1 kHz max
- Input power: 50 mW
- Drivers: 50 mm, with Neodymium magnets
- Inner ear cup diameter: 50 mm / 0.16 in
- Connection type: Wireless USB Adapter
- Wireless range: 12 m / 40 ft
- Wireless frequency: 2.4 Ghz
- Battery life: Up to 16 hours with Chroma lighting / 20 hours without Chroma lighting
- Approximate weight: 375 g / 0.82 lbs

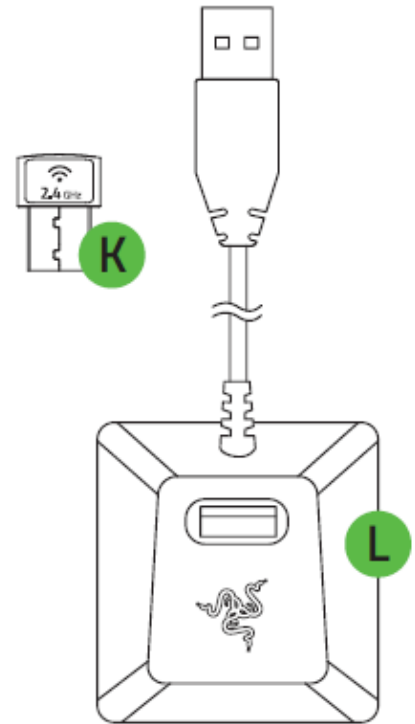
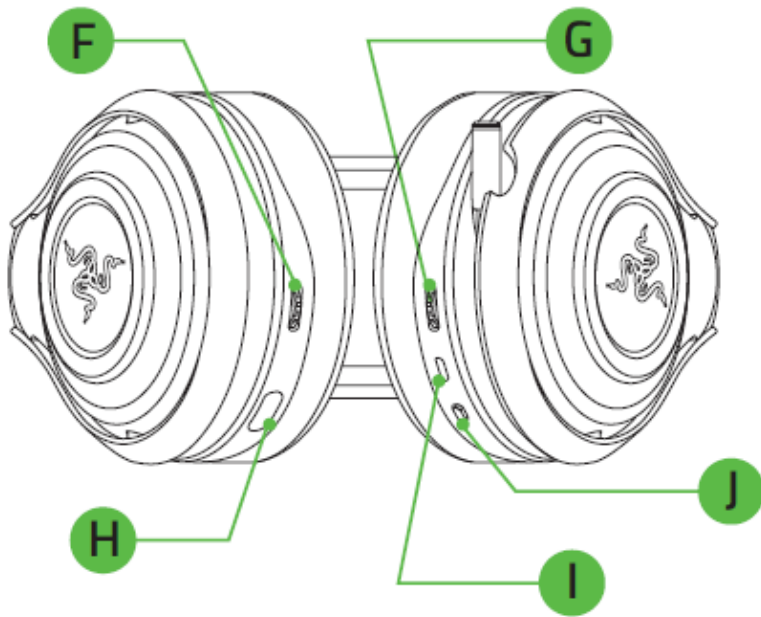
MICROPHONE

- Frequency response: 100 – 10,000 Hz
- Signal-to-noise ratio: 55 dB
- Sensitivity (@1 kHz): -42 \pm 3 dB
- Pick-up pattern: Unidirectional

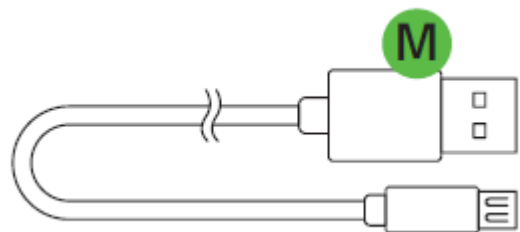
4. DEVICE LAYOUT



- A. Adjustable padded headband
- B. Circumaural leatherette ear cushions
- C. Customizable Razer logo lighting
- D. Microphone mute/unmute LED
- E. Retractable digital microphone



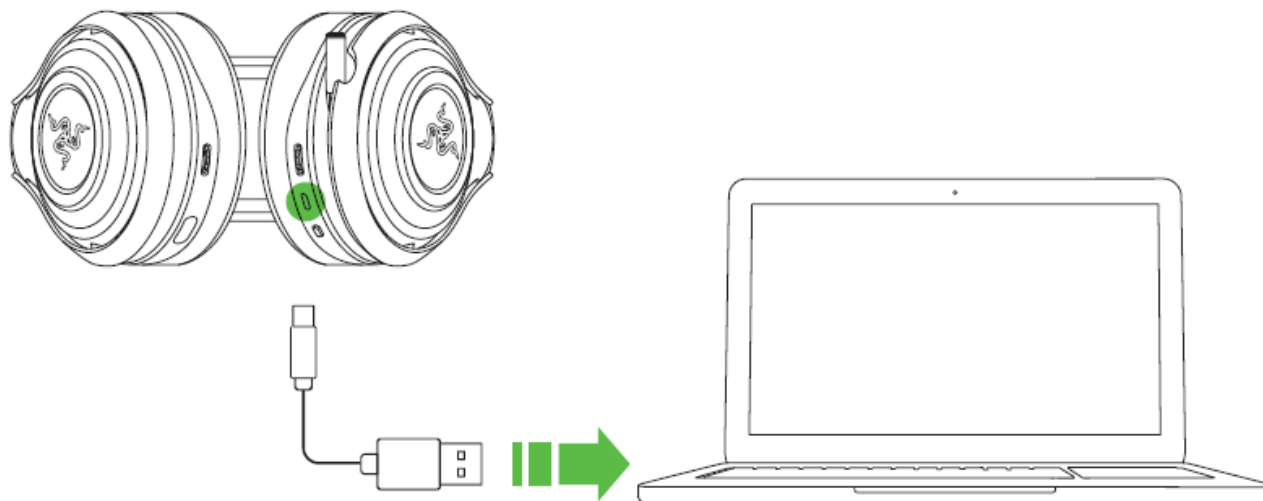
- F. Audio volume control
- G. Voice chat / game volume balance
- H. Wireless USB transceiver storage
- I. Micro-USB connector for charging
- J. Power / pairing button
- K. Wireless USB transceiver
- L. USB extension dock
- M. Micro-USB to USB charging cable



5. USING YOUR RAZER MANO'WAR

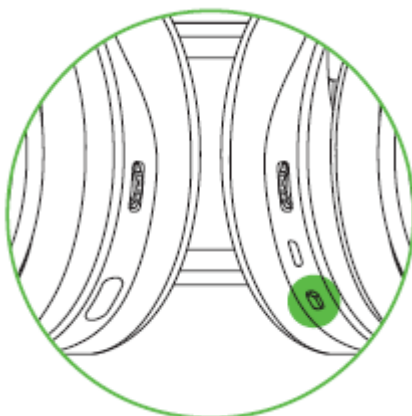
CHARGING YOUR HEADSET




Connect the headset to a power source using the micro-USB to USB charging cable.



UNDERSTANDING THE CHARGING NOTIFICATIONS

The headset will send out notifications depending on its current status, as shown here.

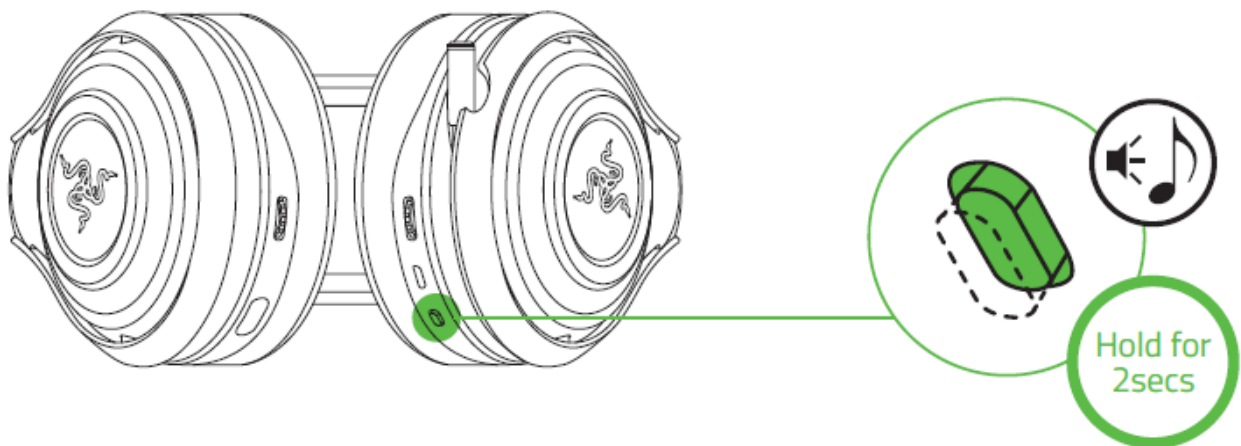


LED NOTIFICATION	SOUND NOTIFICATION	STATUS
 Solid Red	None	Charging
 LED Off	None	Fully charged
 Blinking Red	Warning tone	Low battery

For best results, please charge the battery fully the first time you use the Razer ManO'War headset. A depleted battery will fully charge in about 8 hours.

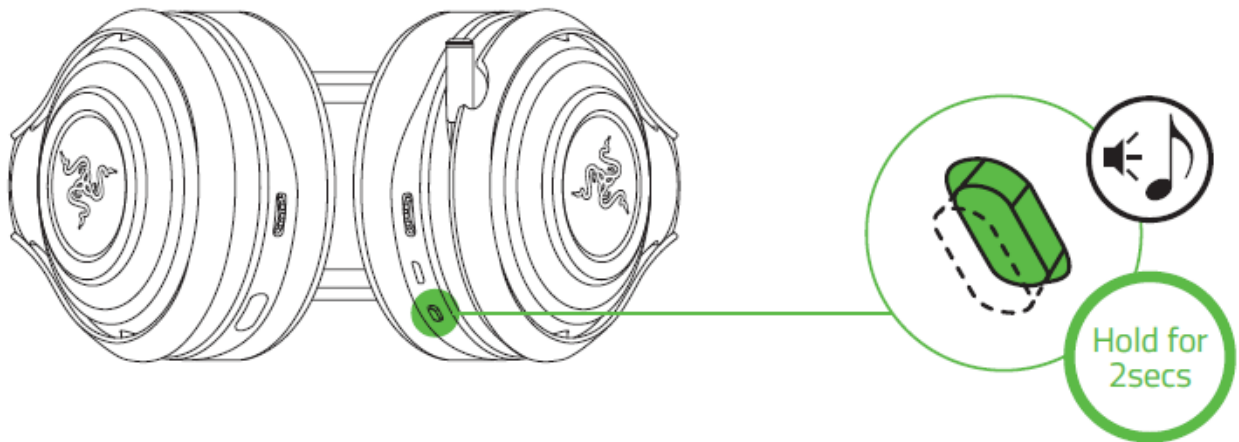
POWER ON

Press and hold the power for at least 2 seconds until you hear 2 short beeps.



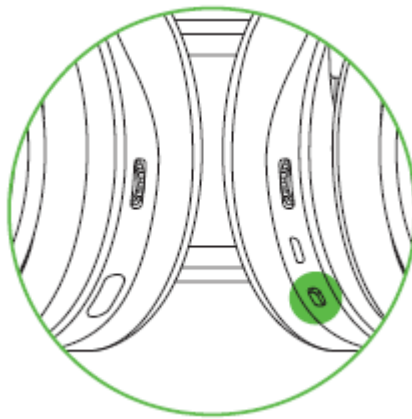
POWER OFF

Press and hold the power button for at least 3 seconds until you hear 2 long beeps.



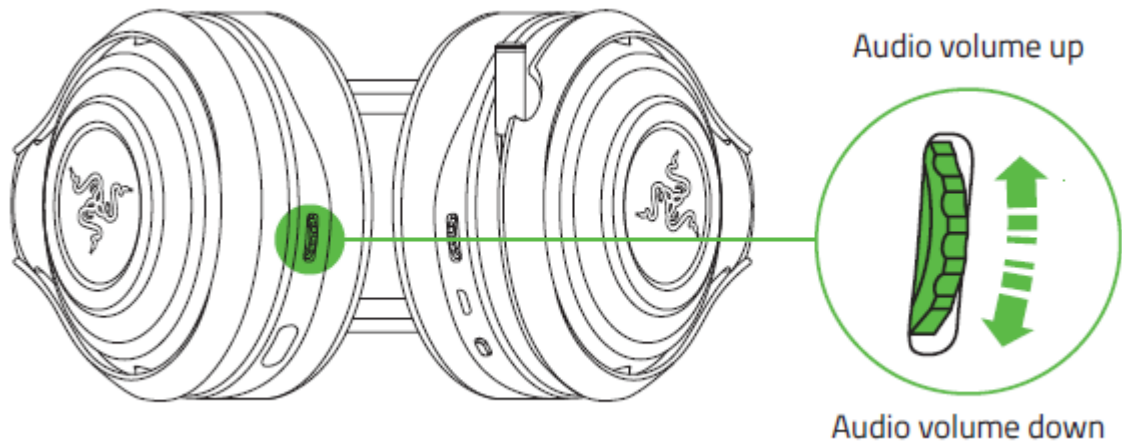
UNDERSTANDING THE POWER NOTIFICATIONS

The headset will send out notifications depending on its current status, as shown here.



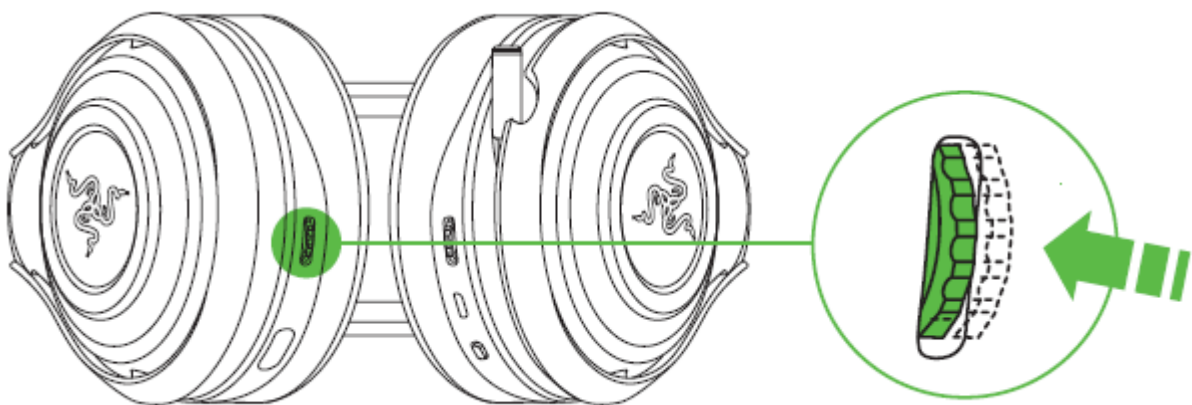
LED NOTIFICATION	SOUND NOTIFICATION	STATUS
Blinking Green	None	The headset is powered on and is syncing to the wireless USB transceiver.

USING THE AUDIO VOLUME CONTROL



You will hear a short beep when you reach the minimum or maximum volume.

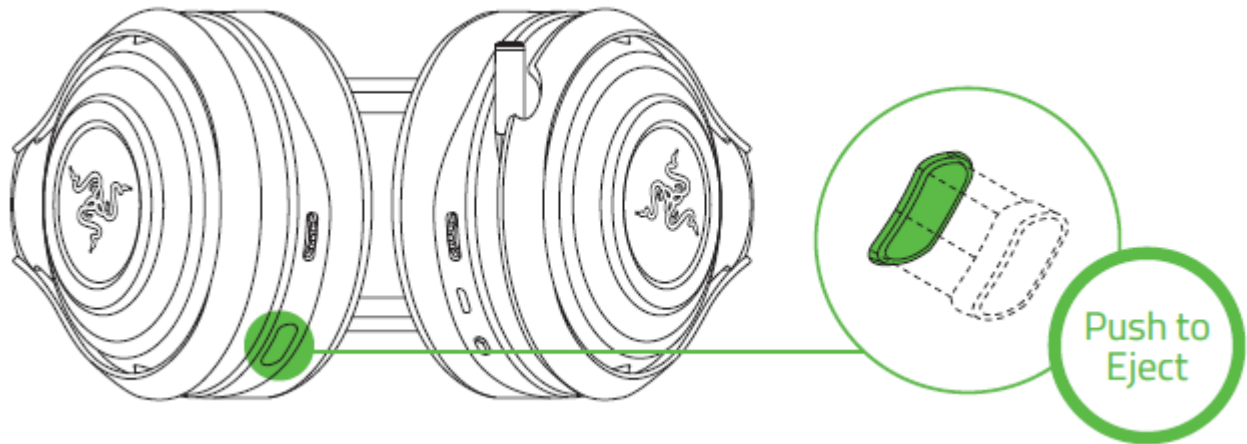
Press the audio volume control located at the bottom of the headset to mute/unmute the audio.



Note: Install Razer Synapse to enable the On-Screen-Display (OSD) feature whenever you change the volume.

USING THE WIRELESS USB TRANSCIEVER

The wireless USB transceiver is located at the bottom of the headset. Push in the wireless USB transceiver until you hear a click then release your finger so that it ejects from the headset. To return the wireless USB transceiver, simply do these steps in reverse order.



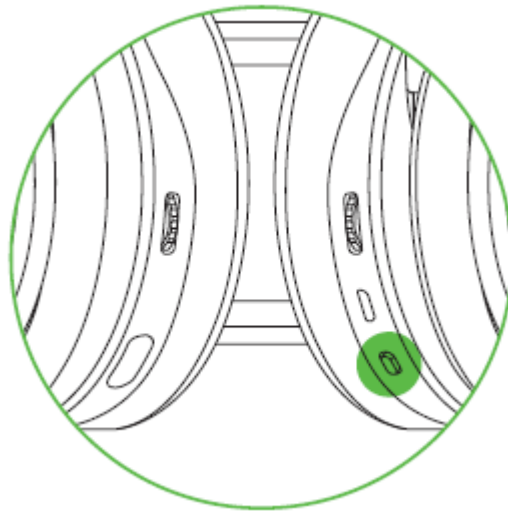
Note: If you are using the Razer ManO'War headset for the first time, you may be required to set the device as your system's default playback device.

For Windows users

Step 1: Connect the wireless USB transceiver to the USB port of your device and power on the headset.

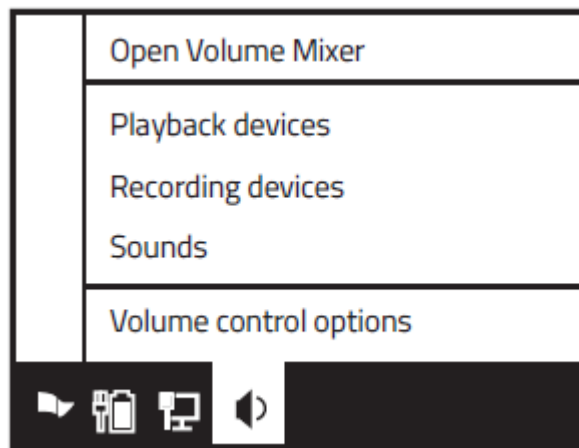


Step 2: Wait until the headset LED is lit green. This indicates that the headset is paired with the wireless USB transceiver.

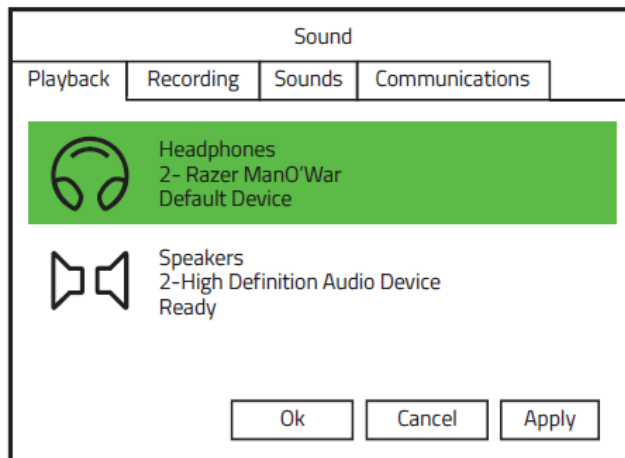


Note: The pairing attempt will be stopped if no connection can be established after 180 seconds. Your headset will flash red and 2 short beeps will be played indicating the connection failure.

Step 3: Open your **Sound** settings from **Control Panel > Hardware and Sound > Manage audio devices**. You can also right-click your sound icon on the system tray and select **Playback devices**.



Step 4: In the *Playback* tab, select Razer ManO'War from the list and click the **Set Default** button.

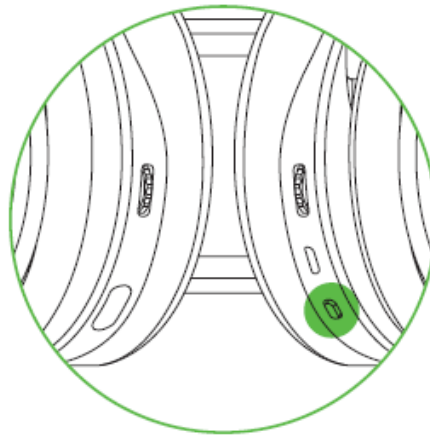


For Mac users

Step 1: Connect the wireless USB transceiver to the USB port of your device and power up the headset.

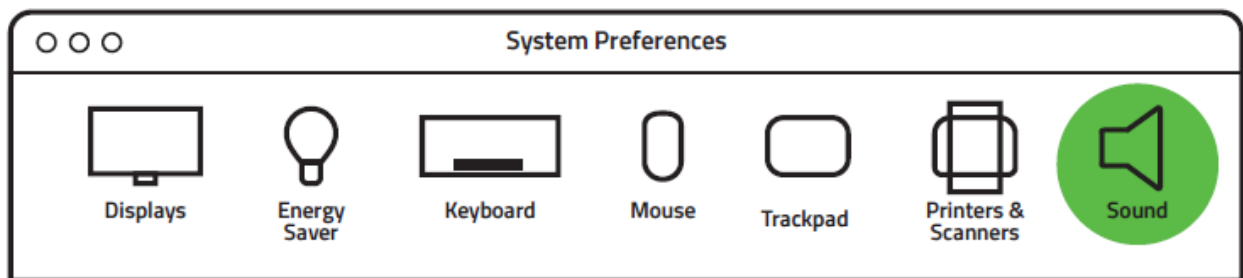


Step 2: Wait until the headset LED is lit green. This indicates that the headset is paired with the wireless USB transceiver.



Note: The pairing attempt will be stopped if no connection can be established after 180 seconds. Your headset will flash red and 2 short beeps will be played indicating the connection failure.

Step 3: Open your **Sound** settings from **System Preferences > Sound**.



Step 4: In the **Output** tab, select Razer ManO'War from the list.



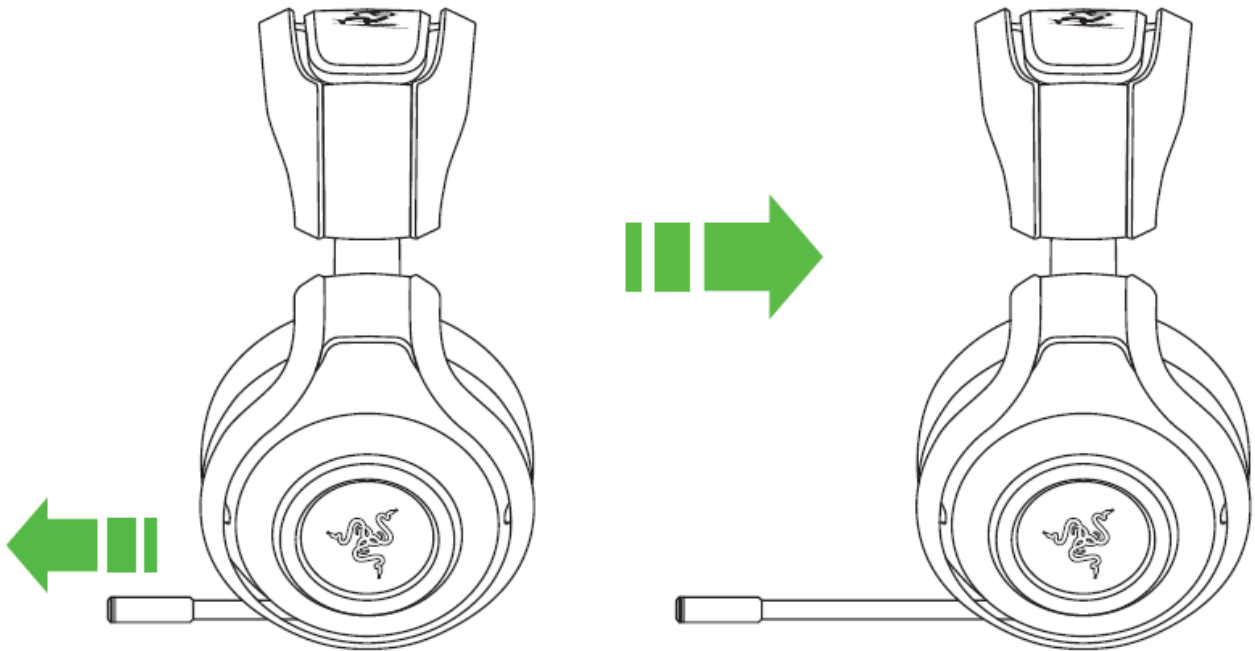
Name	Type
Headphones	Built-in Output
Line Out	Built-in Line Output
Razer ManO'War	USB

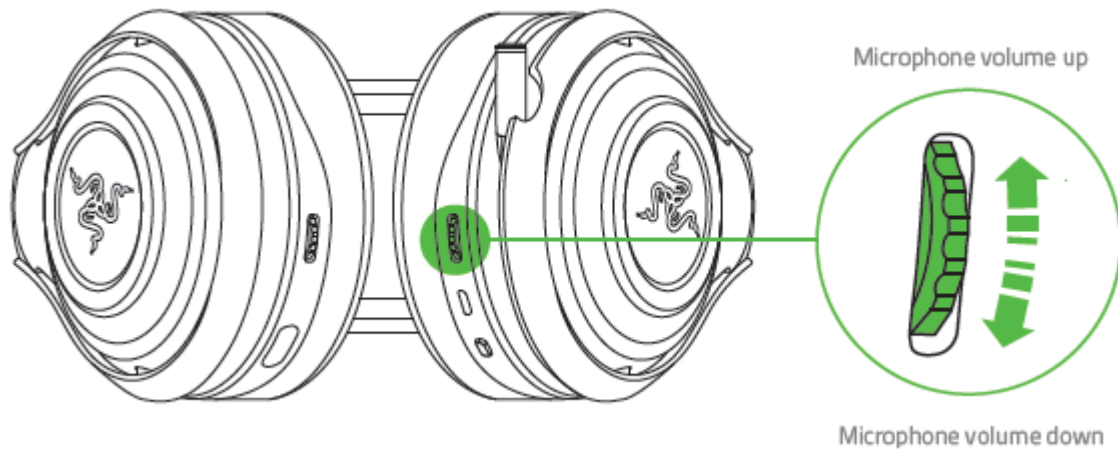
Step 5: In the **Input** tab, select Razer ManO'War from the list.

Sound Effects Output **Input**

Name	Type
External Microphone	Microphone port
Line In	Audio line-in port
Razer ManO'War	USB

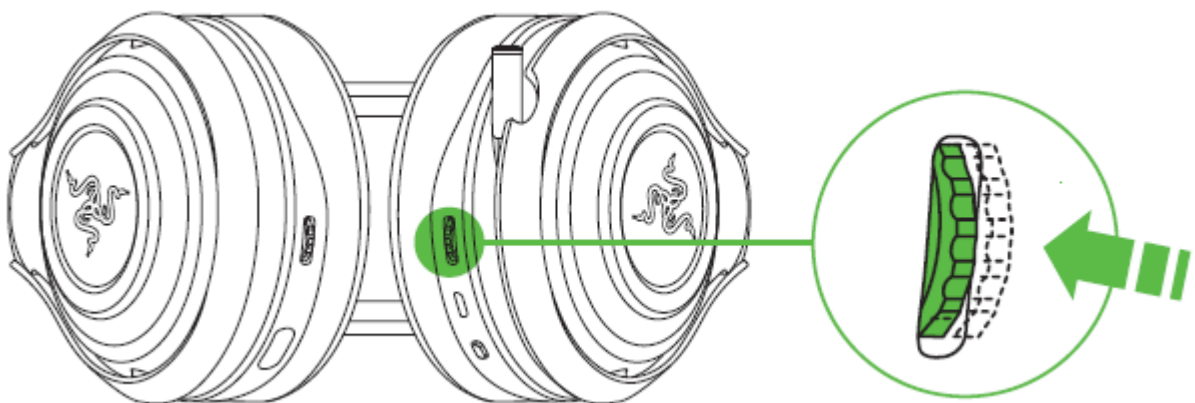
USING THE RETRACTABLE MICROPHONE





You will hear a short beep when you reach the maximum volume for either the game or the voice chat.

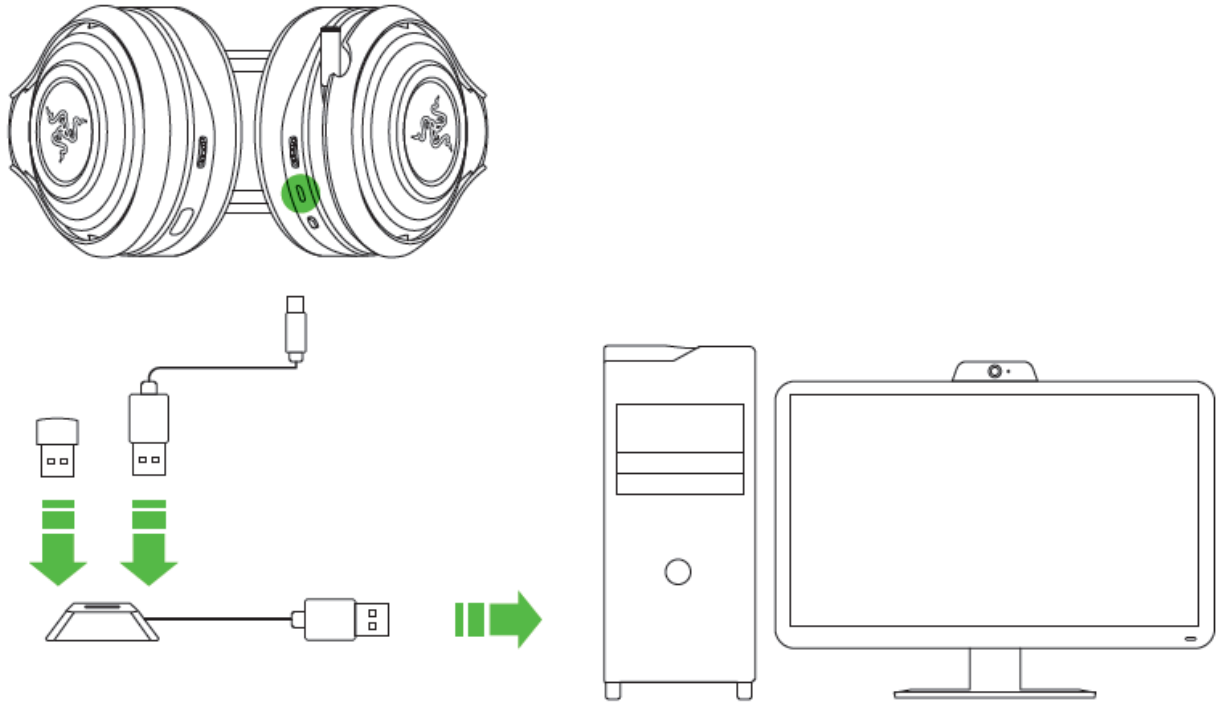
Press the microphone volume control located at the bottom of the headset to mute/unmute the microphone. The microphone's LED will light up when muted.



Note: Install Razer Synapse to enable the On-Screen-Display (OSD) feature whenever you change the volume.

USING THE USB EXTENSION DOCK

Plug the USB extension dock to your gaming system to increase the reach of its USB port. You can use the USB extension dock to connect either the wireless USB transceiver or the charging cable.

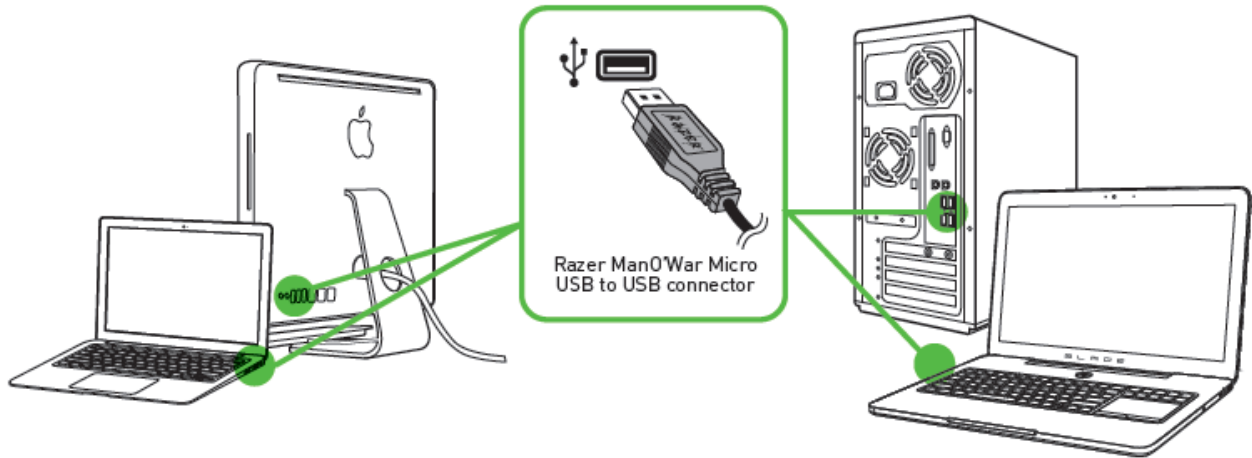


EXTENDING YOUR HEADSET'S LIFESPAN



We recommend gently stretching the headset apart before placing it over your head to minimize headband stress. Please avoid overstretching the headset beyond its technical limits.

6. INSTALLING RAZER SYNAPSE FOR YOUR RAZER MANO'WAR



Step 1: Make sure your Razer ManO'War is connected your computer.

Step 2: Install Razer Synapse when prompted* or download the installer from www.razerzone.com/synapse.

Step 3: Create your Razer ID or log into Razer Synapse with your existing Razer ID.

*Applicable for Windows 8 or later.

Note: Only Spectrum cycling lighting effect and 2.0 stereo audio output is available, 7.1 virtual surround is enabled with Razer Surround software installation.

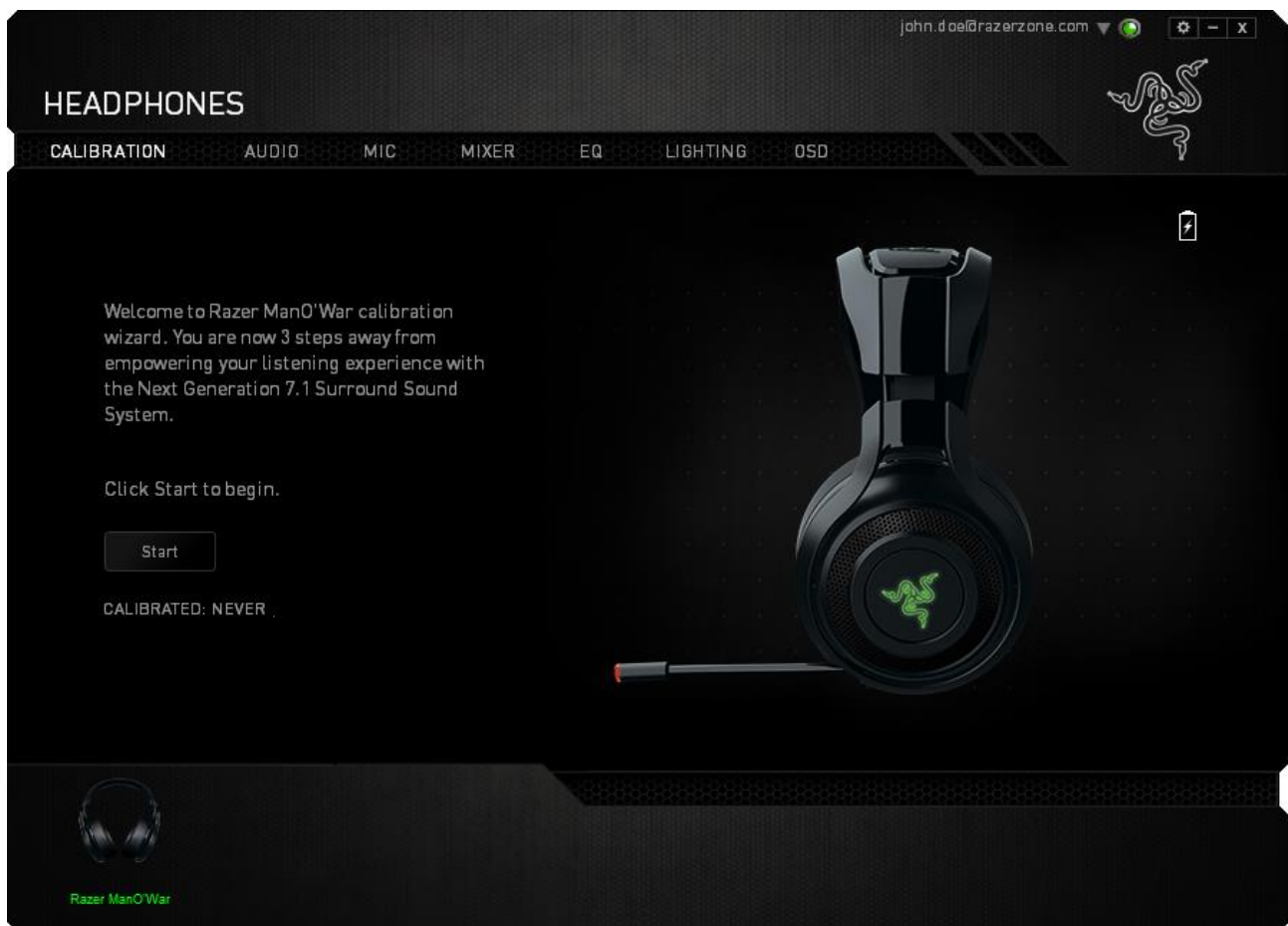
7. CONFIGURING YOUR RAZER MANO'WAR

Disclaimer: The features listed here require you to log in to Razer Synapse. These features are also subject to change based on the current software version and your Operating System.

Your Razer ManO'War headset is equipped with various software customizable features to unleash its full power.

CALIBRATION TAB

A 3 step calibration wizard helps you set up your Razer ManO'War for virtual 7.1 surround sound. If you are setting up your audio device for the first time, we recommend using this wizard for a step by step guide on the calibration process.

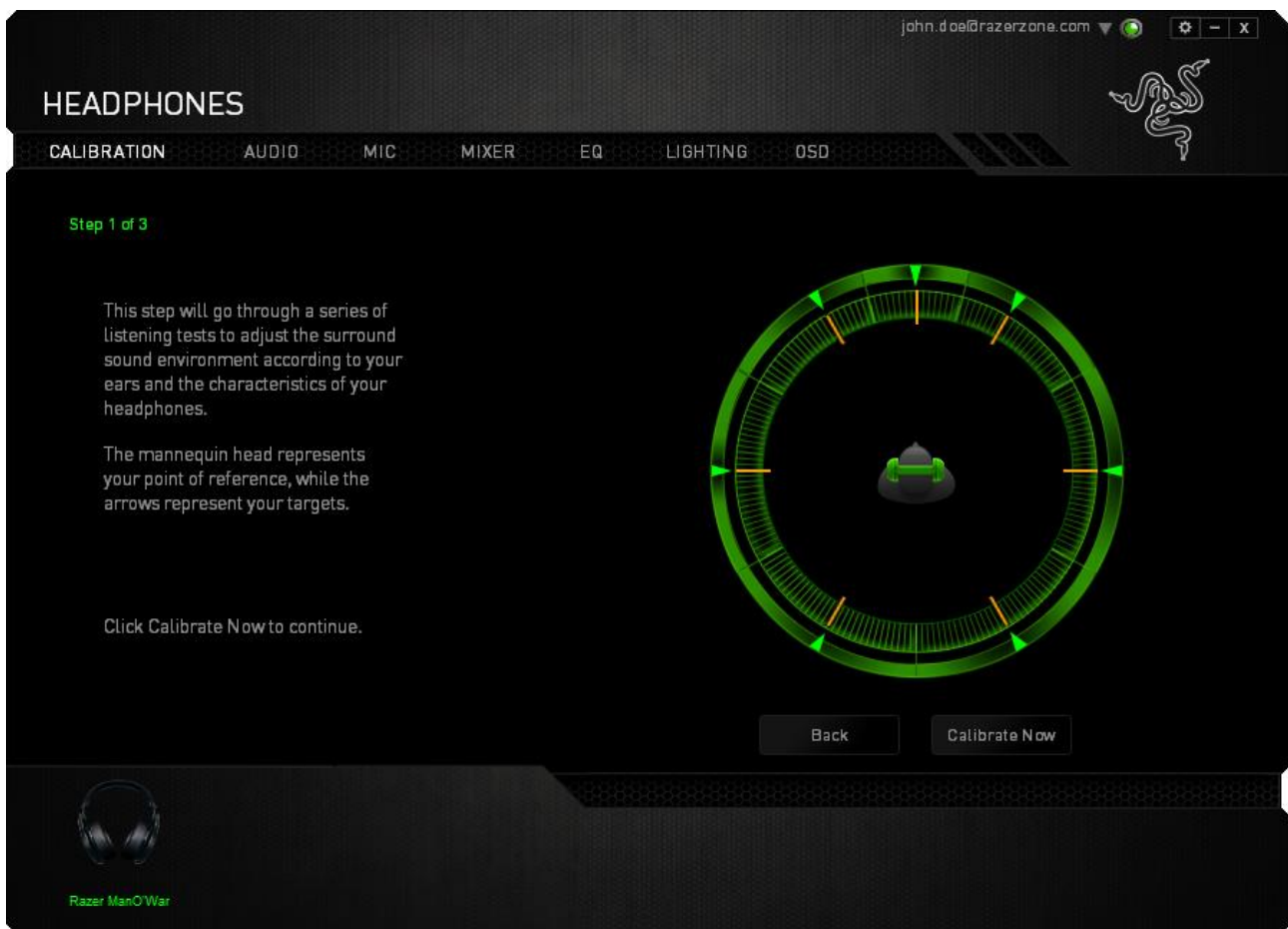


Click **START** to launch the wizard.

Step 1 of 3

This step introduces the calibration process. Read the instructions carefully and ensure that you are in a quiet environment in order to hear the audio prompts properly.

In this figure, the mannequin represents your position. The green arrows on each segment represent the target direction of the audio playback for that particular segment. Each orange line represents the last saved calibration settings configured on Razer Surround.



Click **Calibrate Now** once you are ready to begin the calibration.

Step 2 of 3

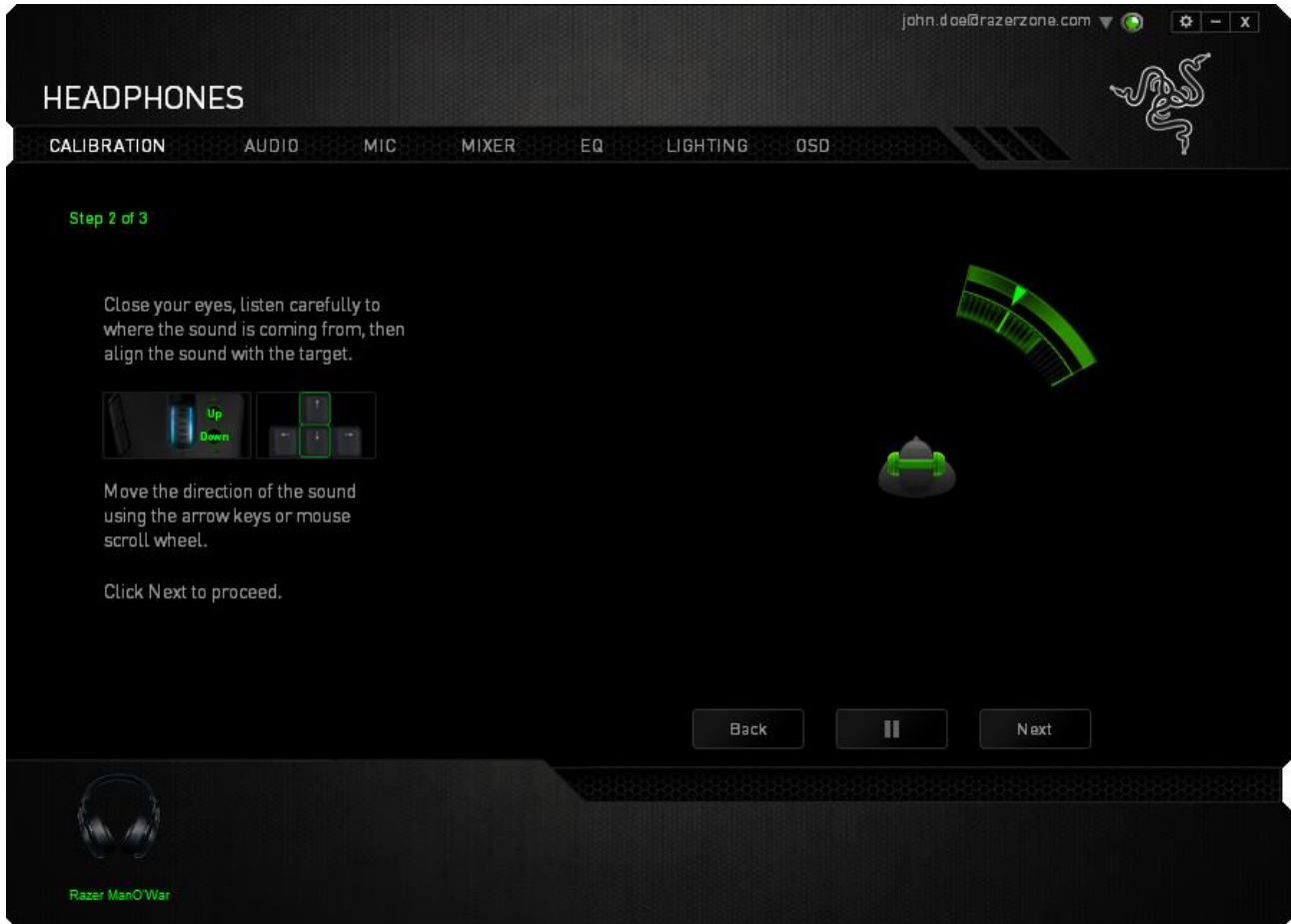
Position yourself according to the point of reference indicated by the mannequin. The calibration process is divided into a series of segments. An audio prompt will be played for each segment.

For the first segment, the sound should be perceived as coming from the direction marked by the green target arrow, roughly North-East of your point of reference. Your aim is to move the sound you hear such that you perceive it to be coming from this target direction. To achieve this,

1. Listen carefully to the audio prompt
2. The sound you hear will change direction as you move the mouse scroll wheel or the up/down arrow keys.
3. Continue changing the direction of the sound until you perceive it to come from the North-East position or as close to the green target arrow as possible.

Note: The orange line indicates the relative change to the previously saved alignment setting. It does not affect your current calibration, as it serves merely as a change indicator.

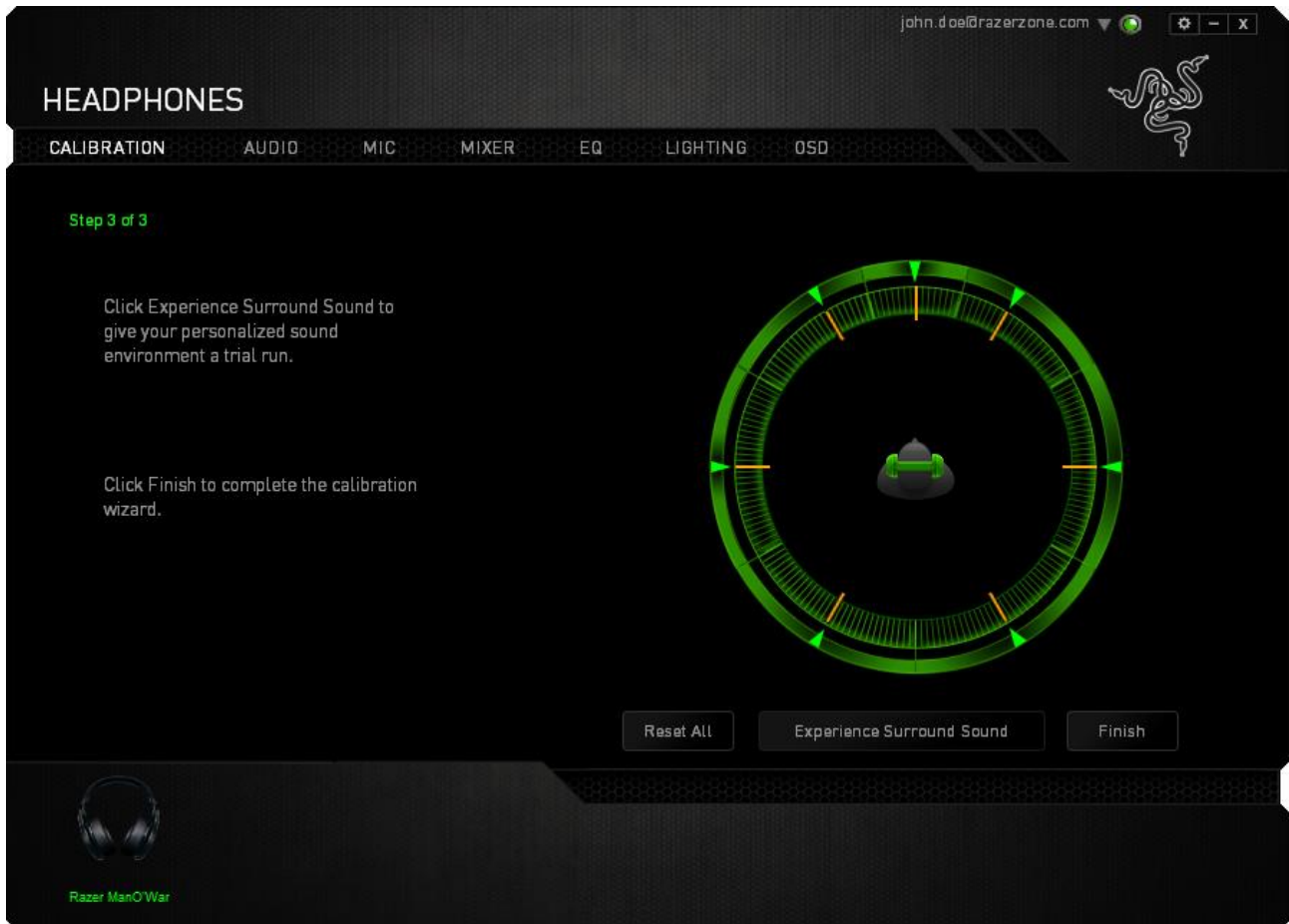
Click **Next** to continue to the next segment. Repeat the above, using the green target arrow for each segment as the target direction and continue until you complete the circle.



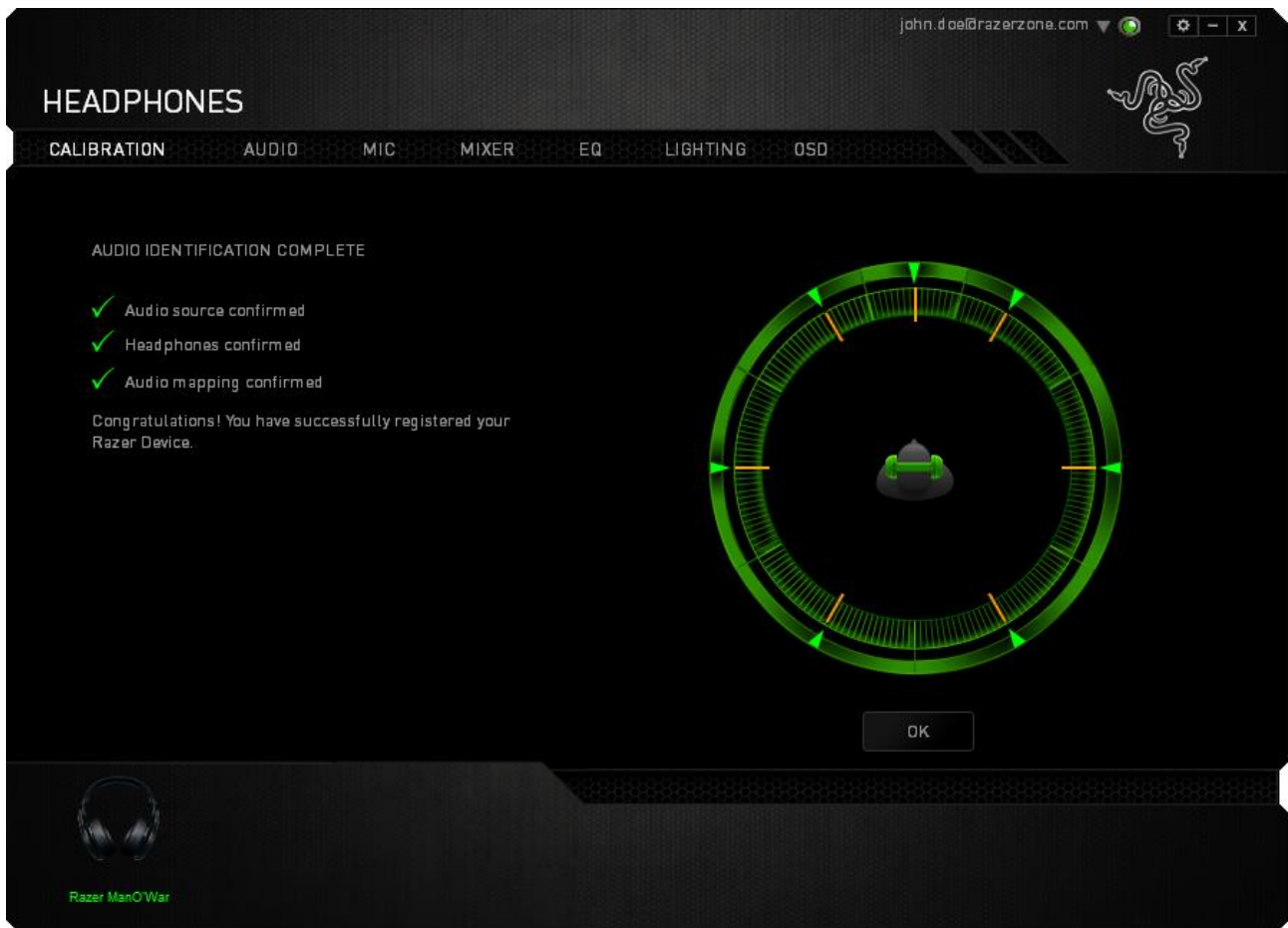
Once all segments are calibrated, click **Next** to go to the next step.

Step 3 of 3

Click **Experience Surround Sound** to test your personalized sound environment. To tweak a particular section, simply click it to play its audio prompt and adjust the settings as desired. To reset the entire configuration, click **Reset All**. Otherwise, click **Finish** to confirm the settings.

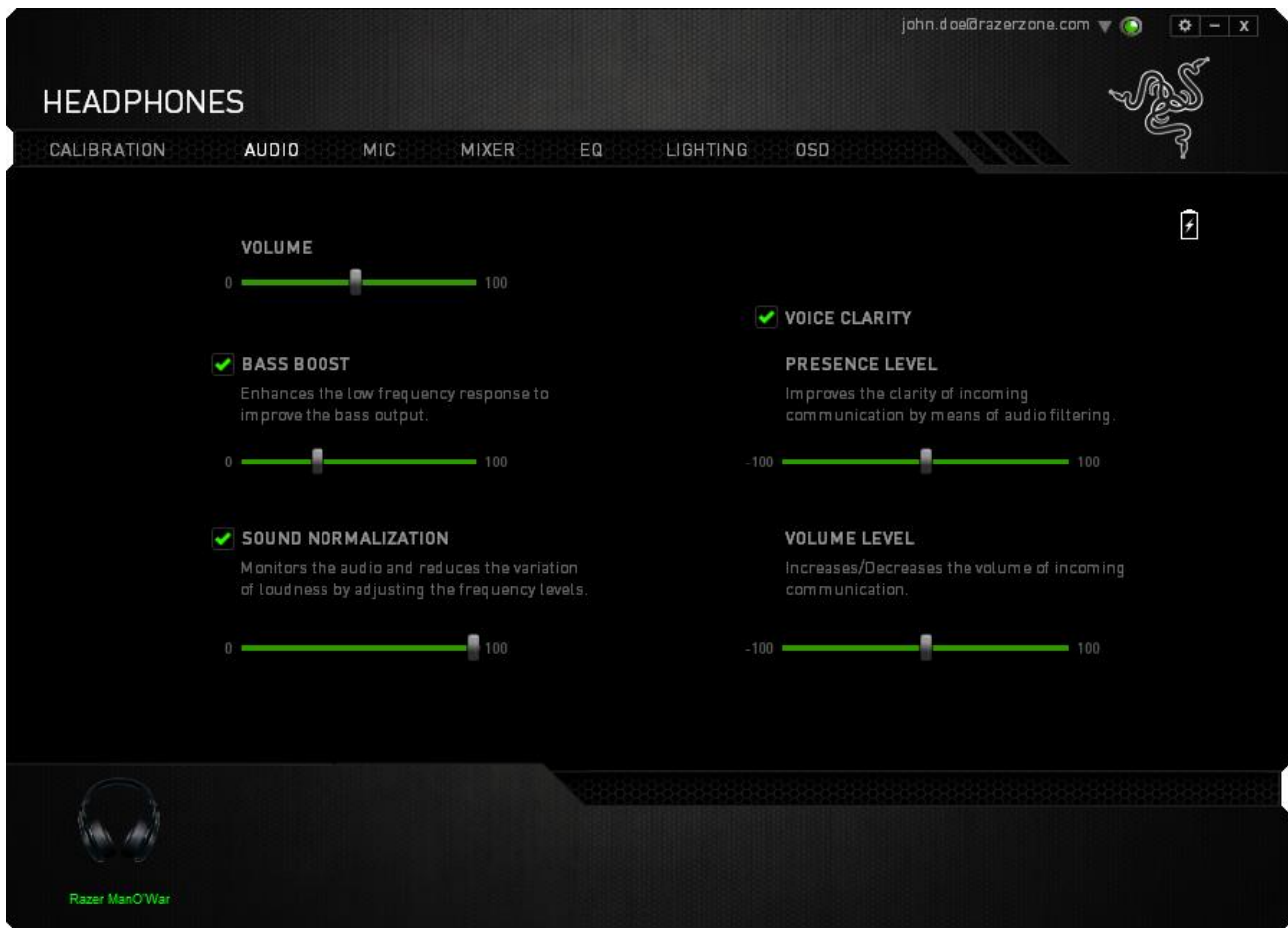


A confirmation screen will be displayed. Click **OK** to save and exit the wizard.



AUDIO TAB

The Audio Tab lets you control various options related to the audio you hear from your headset.

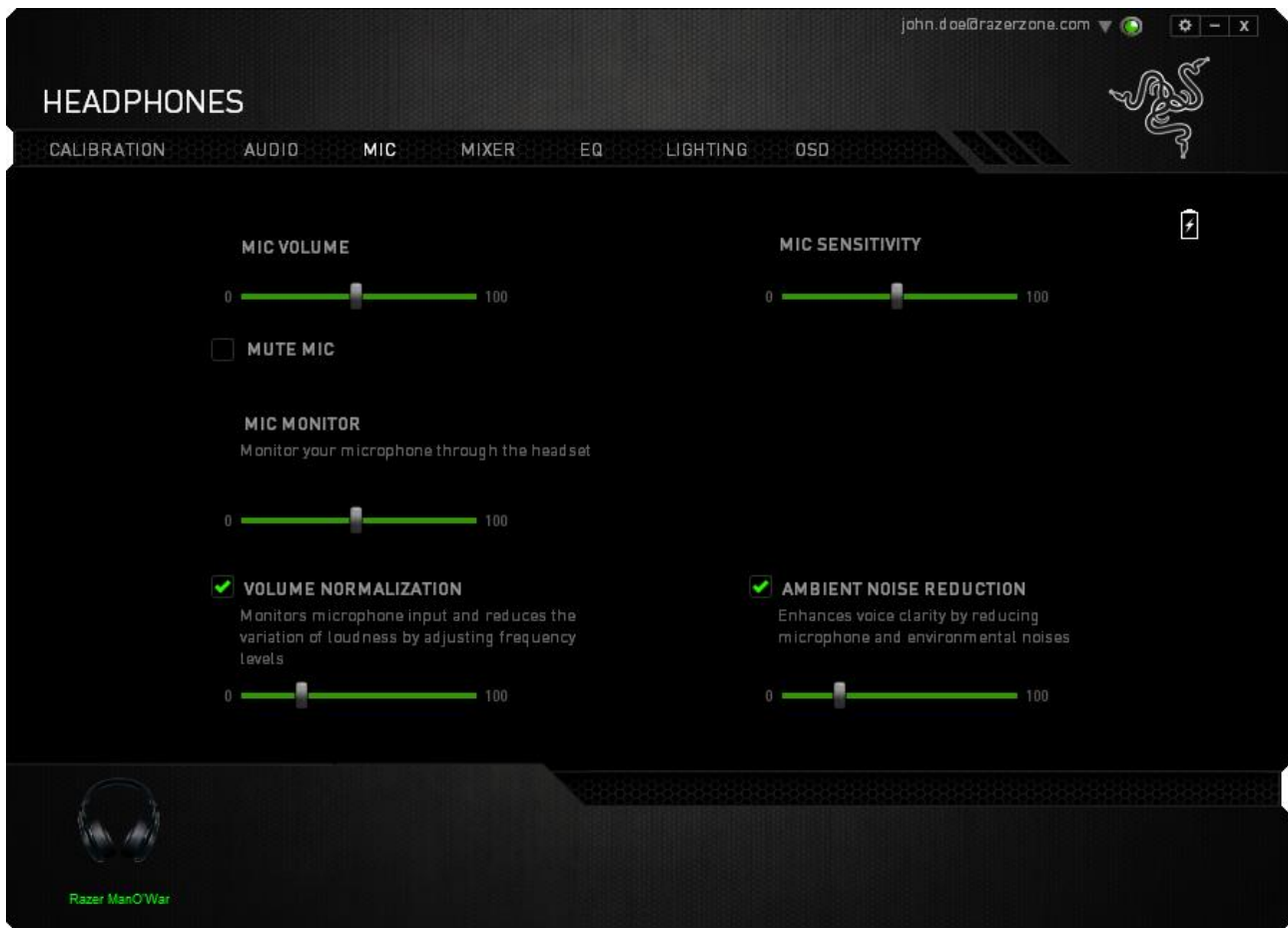


Using the various sliders, you can:

- Adjust the overall volume of your headset
- Improve the bass output of your headset
- Normalize the loudness of audio played to avoid sudden and unpleasant increase in volume from effects such as explosions
- Enable voice clarity adjustments to improve the quality of incoming voice conversations. **Voice Clarity** adjustments includes both clarity (**Presence Level**) and volume (**Volume Level**) of incoming voice conversations.

MIC TAB

The Mic Tab lets you control various options related to how your headset handles voice input via its microphone.



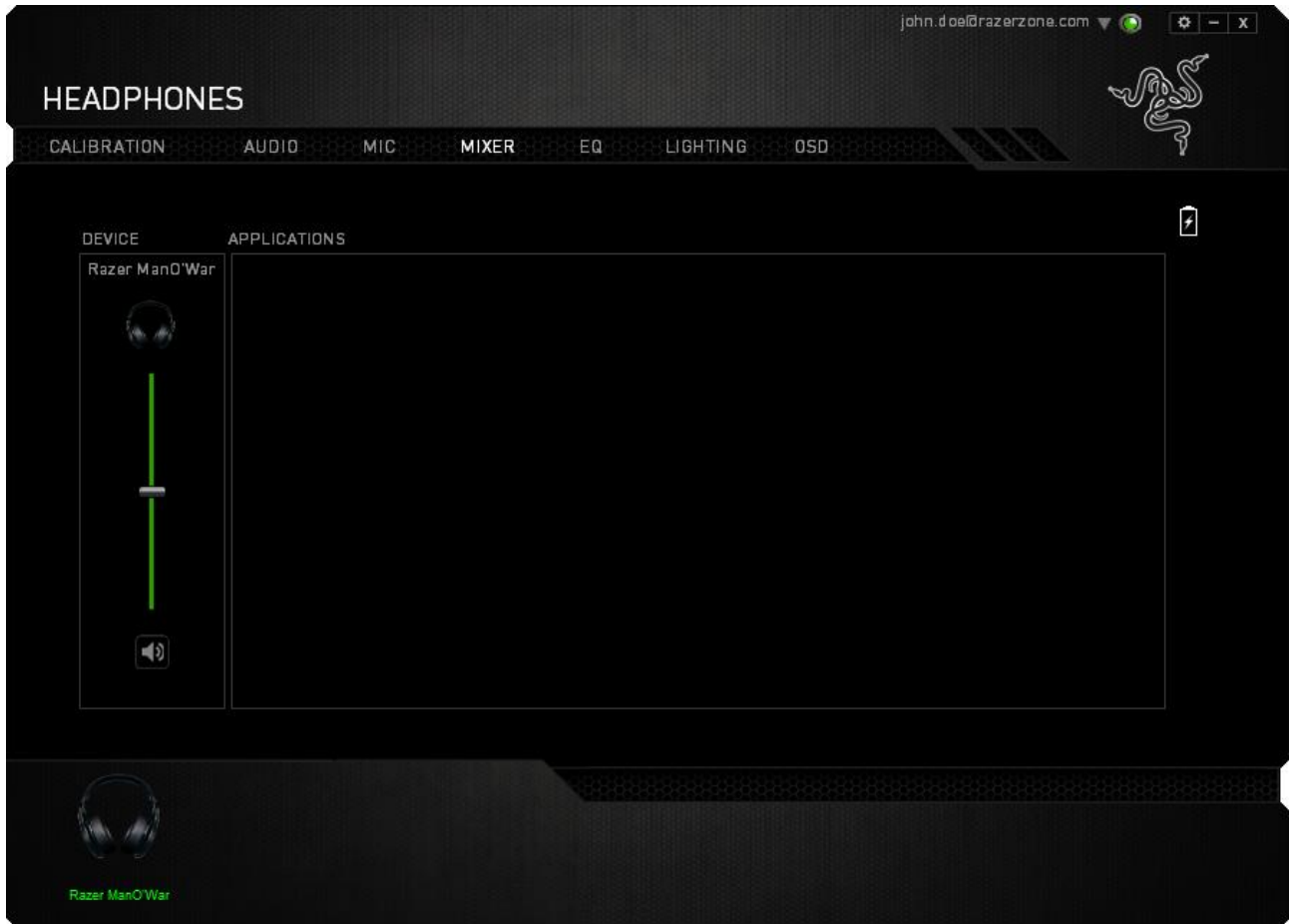
Using the various sliders and options you can:

- Adjust the microphone input volume. You can also choose to mute your microphone.
- Adjust volume normalization level for microphone input
- Adjust the microphone's sensitivity so it cuts out background noises and only picks up your voice.
- Enhance the clarity of microphone input by reducing ambient noise. Use the slider to determine the level of noise reduction desired.

MIXER TAB

The Mixer Tab allow you to adjust the volume for programs currently running on your system individually.

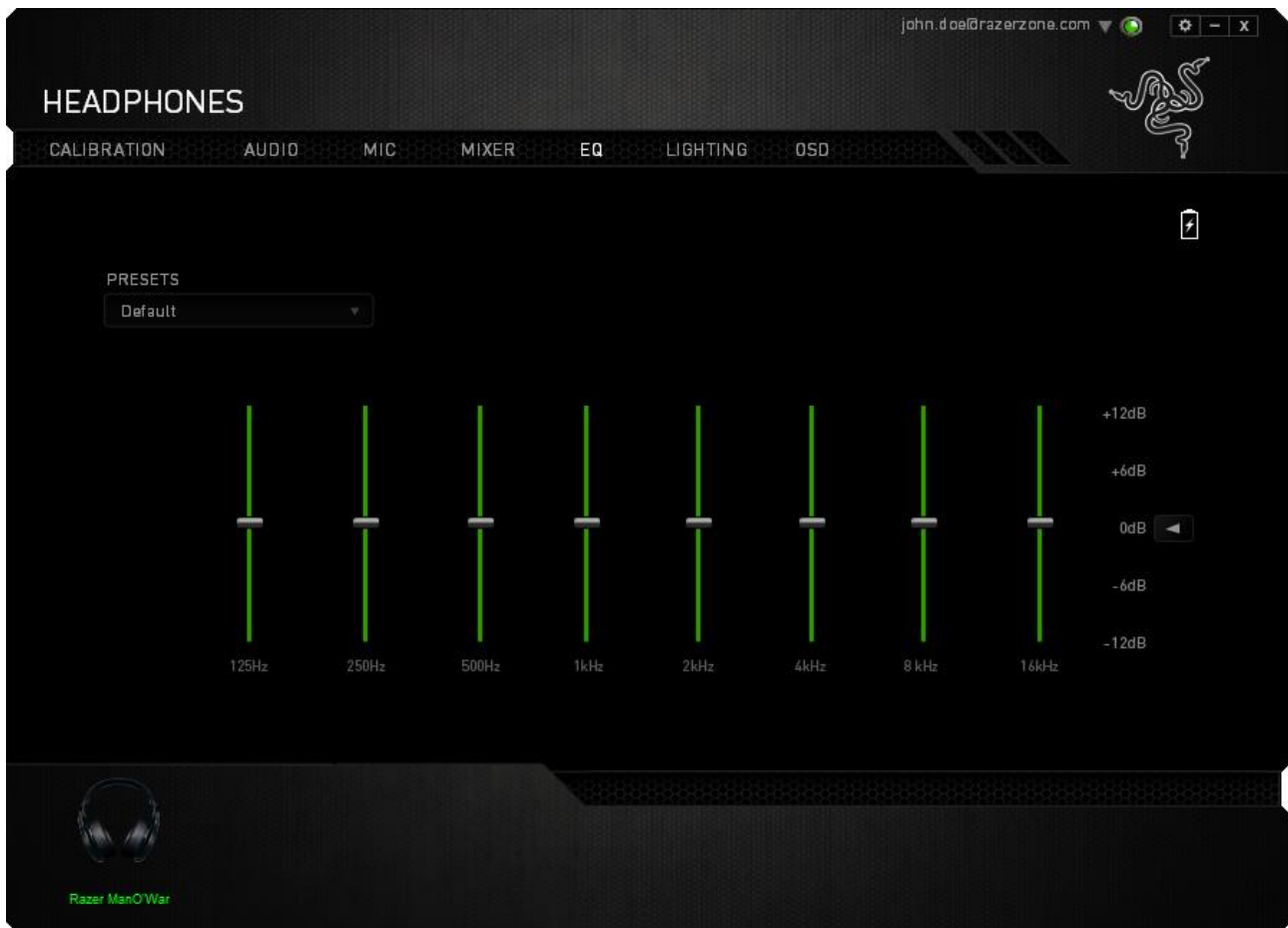
Note: The Mixer Tab is not available for Mac OS systems.



Customize the volume of audio for each program using the sliders.

EQ TAB

The EQ Tab lets you filter various audio frequencies, controlling the overall tone of your audio output.

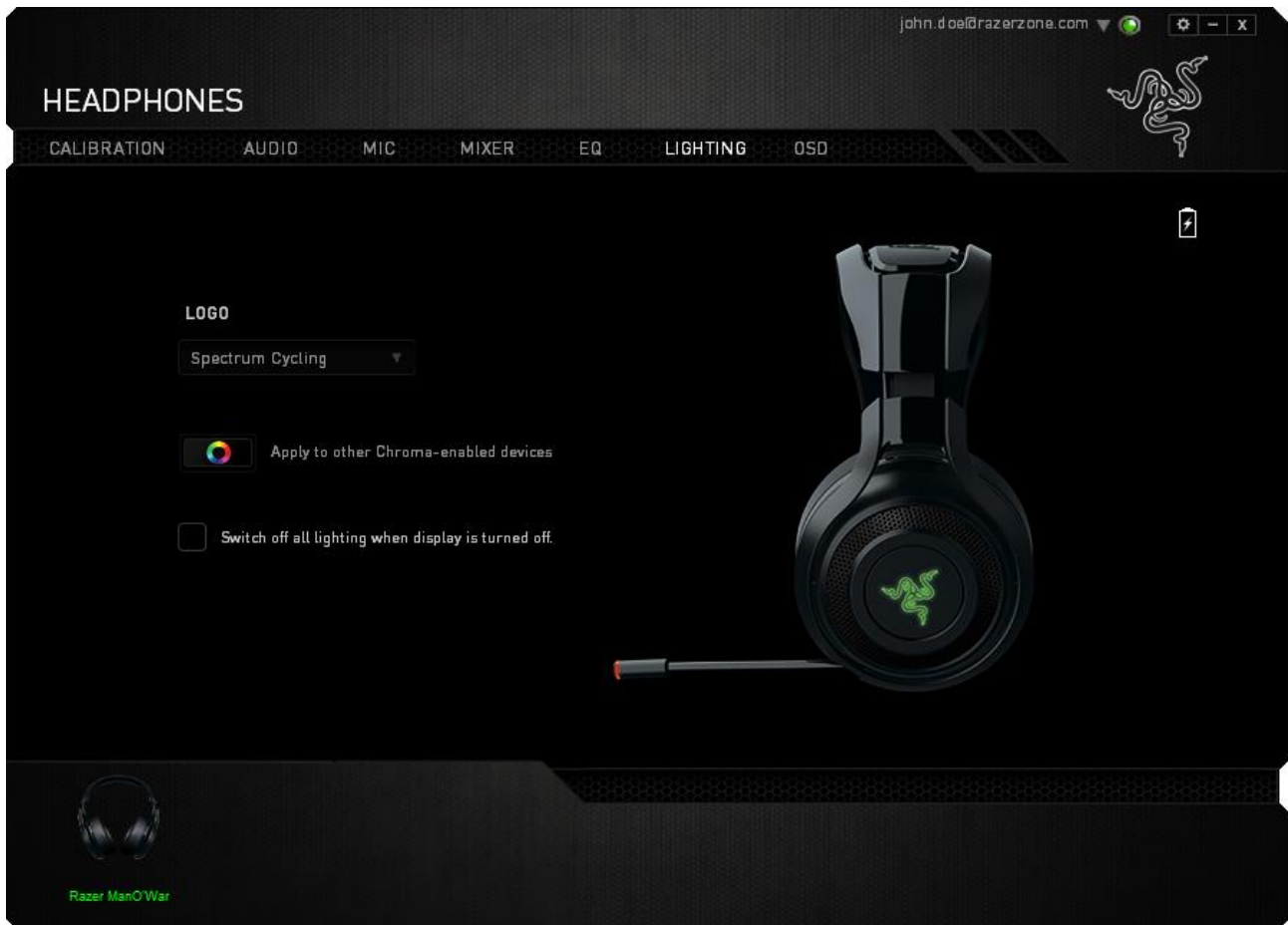


A list of preset equalizer settings can be selected from the drop down menu, giving you easy access to various commonly used audio tones. You can also manually adjust each audio frequency using the sliders.

LIGHTING TAB

The Lighting Tab is where you can customize the color of Razer logo lighting or select pre-loaded lighting effects. Changes made in this tab will be automatically saved to the current profile.

Note that the color of the microphone LED cannot be changed.

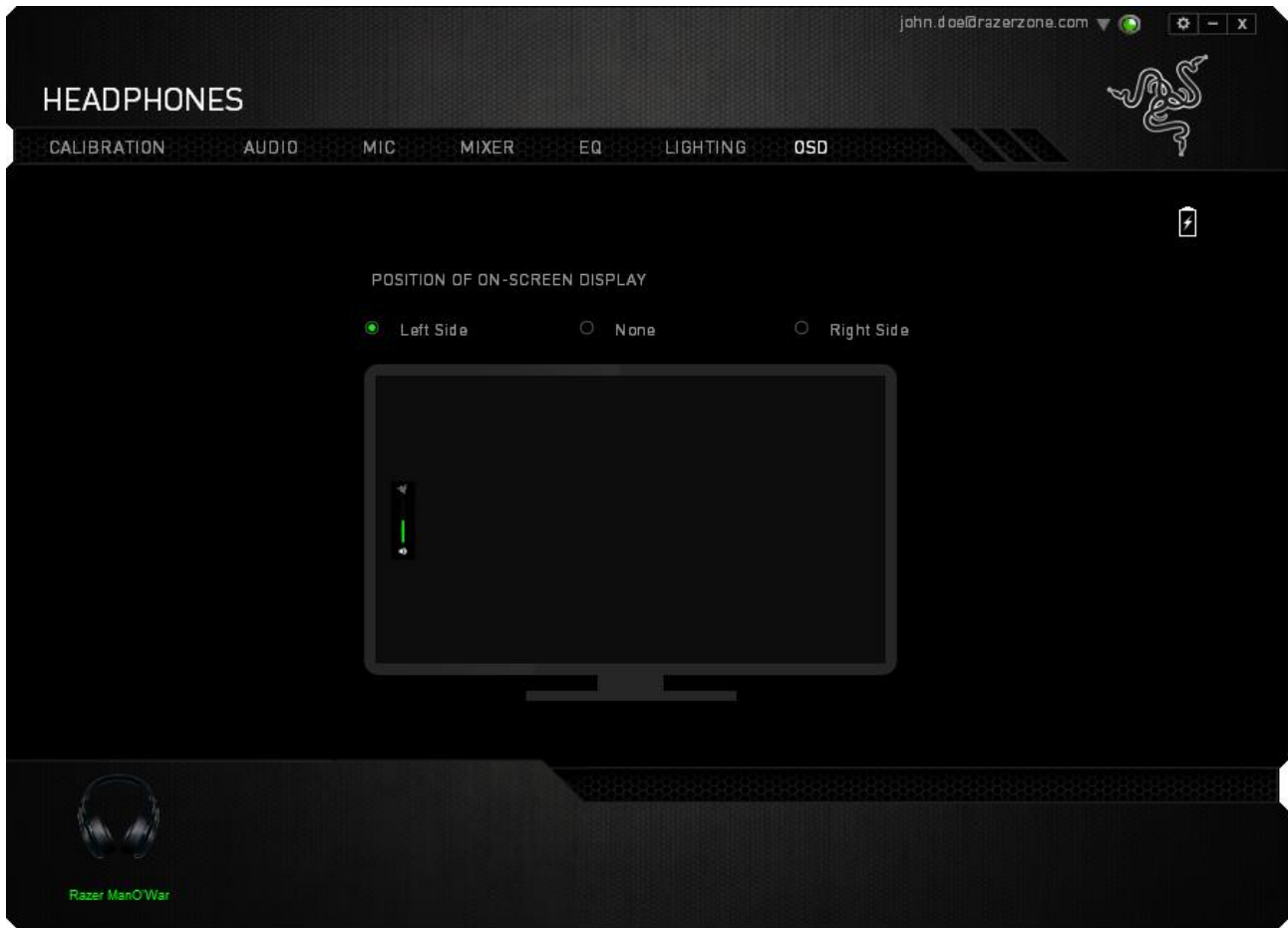


Lighting options include:

- Spectrum Cycling: Logo lighting will cycle between 16 million colors indefinitely. This is the default lighting effect.
- Breathing: making the logo lighting fade in and out of the selected color.

OSD TAB

The OSD Tab allows you to configure the on-screen display settings.



8. SAFETY AND MAINTENANCE

SAFETY GUIDELINES

In order to achieve maximum safety while using your Razer ManO'War, we suggest that you adopt the following guidelines:

1. Should you have trouble operating the device properly and troubleshooting does not work, unplug the device and contact the Razer hotline or go to razersupport.com for support. Do not attempt to service or fix the device yourself at any time.
2. Do not take apart the device (doing so will void your warranty) and do not attempt to service it yourself or operate it under abnormal current loads.
3. Keep your device away from liquid, humidity or moisture. Operate your device only within the specified temperature range of 0°C (32°F) to 40°C (104°F). Should you operate it in a temperature that is beyond this range, unplug and switch off the device in order to let the temperature stabilize within the optimal temperature range.
4. The device isolates external ambient sounds even at low volumes, resulting in lowered awareness of your external surroundings. Please remove the device when engaging in any activities that requires active awareness of your surroundings.
5. Listening to excessively loud volumes over extended periods of time can damage your hearing. Furthermore, legislation of certain countries permits a maximum sound level of 86db to affect your hearing for 8 hours a day. We therefore recommend that you reduce the volume to a comfortable level when listening for prolonged periods of time. Please, take good care of your hearing.

MAINTENANCE AND USE

The Razer ManO'War requires minimum maintenance to keep it in optimum condition. Once a month we recommend you unplug the device and clean it using a soft cloth or cotton swab with a bit of warm water to prevent dirt buildup. Do not use soap or harsh cleaning agents.

9. LEGALESE

COPYRIGHT AND INTELLECTUAL PROPERTY INFORMATION

Copyright ©2016 Razer Inc. All Rights Reserved. Razer, the Razer Triple-Headed Snake logo, the Razer logo and other trademarks contained herein are trademarks or registered trademarks of Razer Inc. and/or its affiliated or associated companies, registered in the United States and/or other countries.

Windows and the Windows logo are trademarks of the Microsoft group of companies.

Mac OS, Mac and the Mac logo are trademarks or registered trademarks of Apple. All other trademarks are the property of their respective owners.

Razer Inc. (“Razer”) may have copyright, trademarks, trade secrets, patents, patent applications, or other intellectual property rights (whether registered or unregistered) concerning the product in this guide. Furnishing of this guide does not give you a license to any such copyright, trademark, patent or other intellectual property right. The Razer ManO’War (the “Product”) may differ from pictures whether on packaging or otherwise. Razer assumes no responsibility for such differences or for any errors that may appear. Information contained herein is subject to change without notice.

LIMITED PRODUCT WARRANTY

For the latest and current terms of the Limited Product Warranty, please visit razerzone.com/warranty.

LIMITATION OF LIABILITY

Razer shall in no event be liable for any lost profits, loss of information or data, special, incidental, indirect, punitive or consequential or incidental damages, arising in any way out of distribution of, sale of, resale of, use of, or inability to use the Product. In no event shall Razer’s liability exceed the retail purchase price of the Product.

COSTS OF PROCUREMENT

For the avoidance of doubt, in no event will Razer be liable for any costs of procurement unless it has been advised of the possibility of such damages, and in no case shall Razer be liable for any costs of procurement liability exceeding the retail purchase price of the Product.

GENERAL

These terms shall be governed by and construed under the laws of the jurisdiction in which the Product was purchased. If any term herein is held to be invalid or unenforceable, then such term (in so far as it is invalid or unenforceable) shall be given no effect and deemed to be excluded without invalidating any of the remaining terms. Razer reserves the right to amend any term at any time without notice.